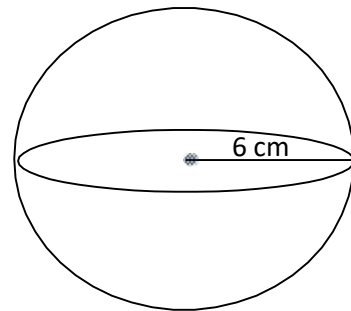
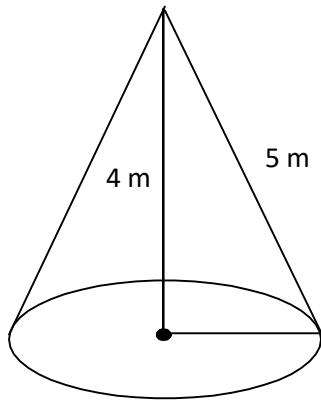
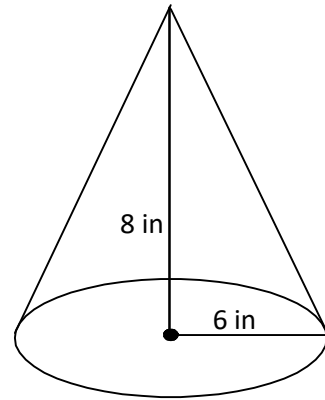
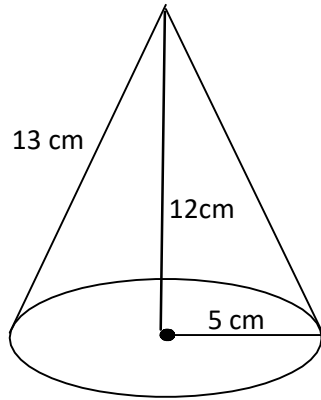


Homework

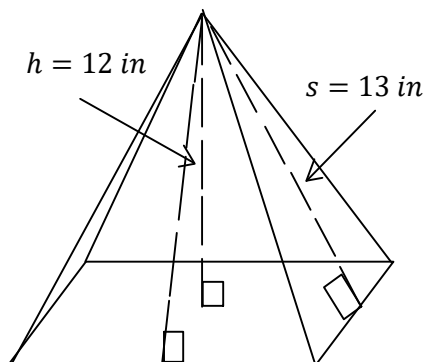
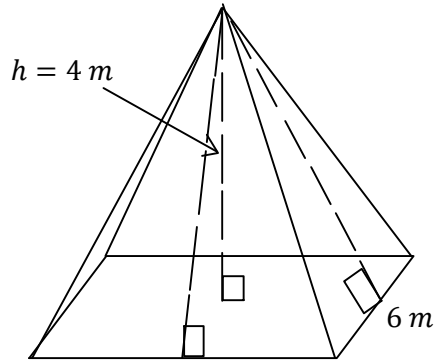
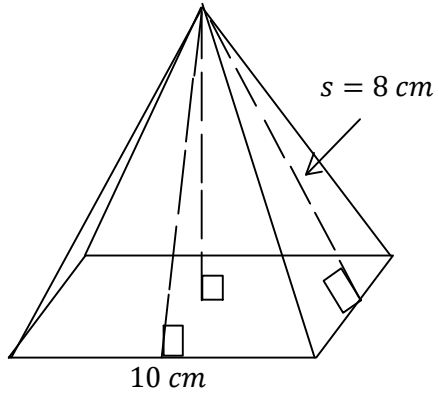
M10 - 2.1 - Surface Area Cone/Sphere HW

Calculate the following Surface Area and Volume.



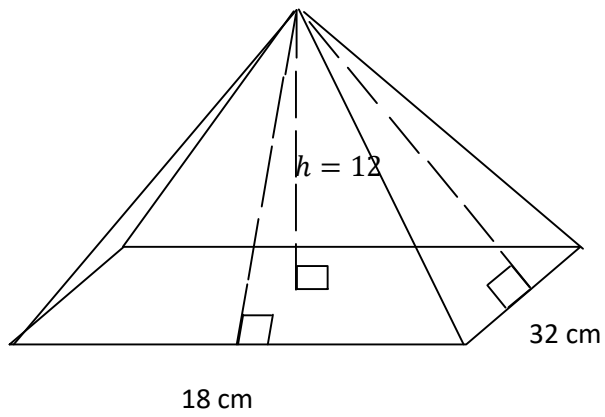
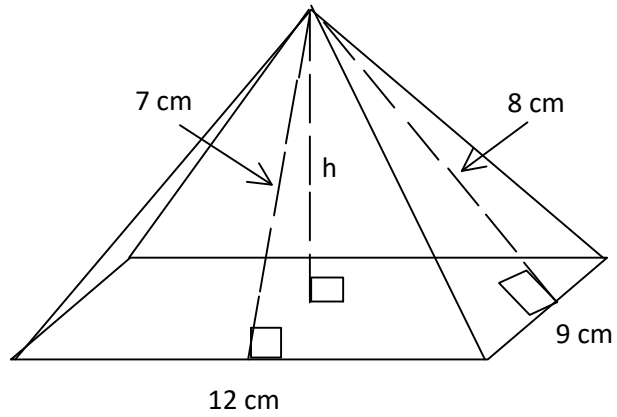
M10 - 2.2 - Surface Area/Volume Square Pyramid (pythag) HW

Calculate the following Surface Area and Volume with both Methods.



M10 - 2.3 - Surface Area/Volume Rectangular Pyramid HW

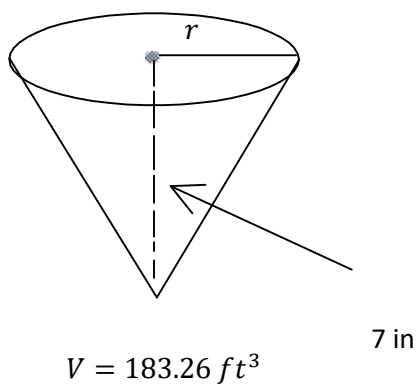
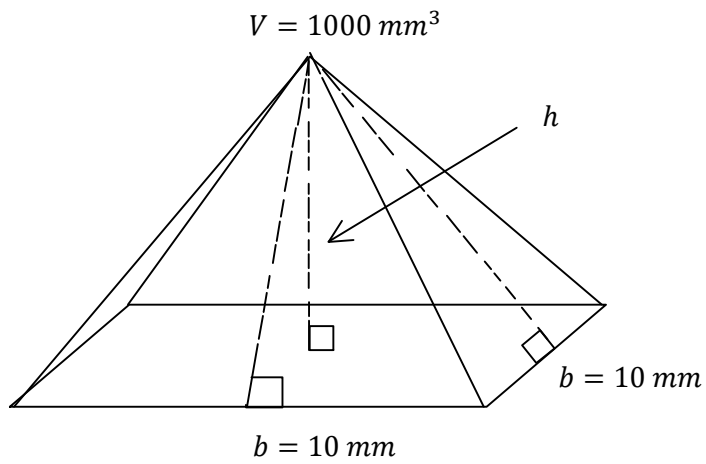
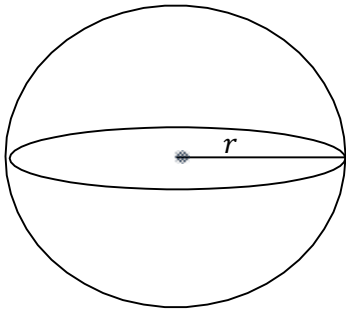
Calculate the following Surface Area and Volume with both Methods.



M10 - 2.4 - Surface Area/Volume Missing Length HW

Find the missing length for the shapes below.

$$SA = 29 \text{ in}^2$$



M10 - 2.5 - Composite Shapes HW

Find the Volume and Surface Area of the composite shape below.

