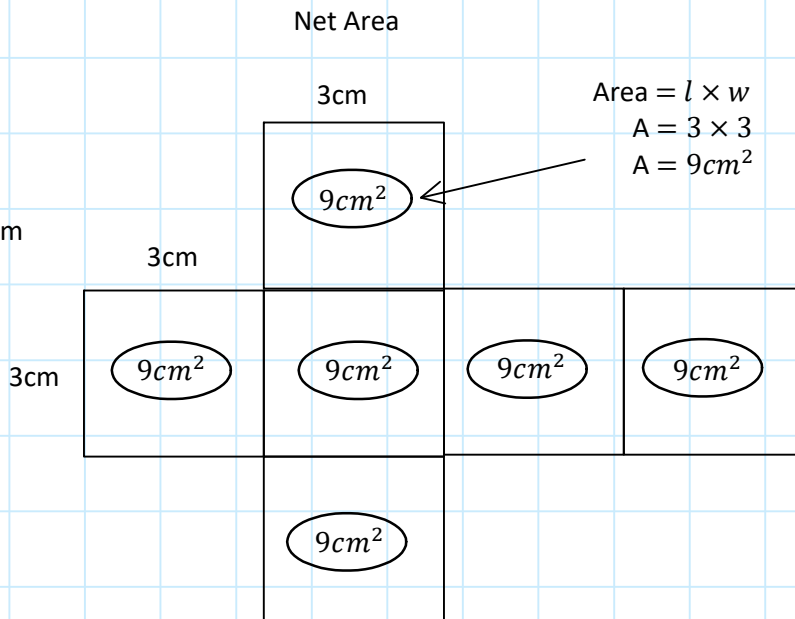
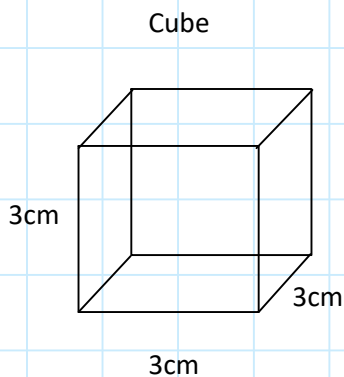


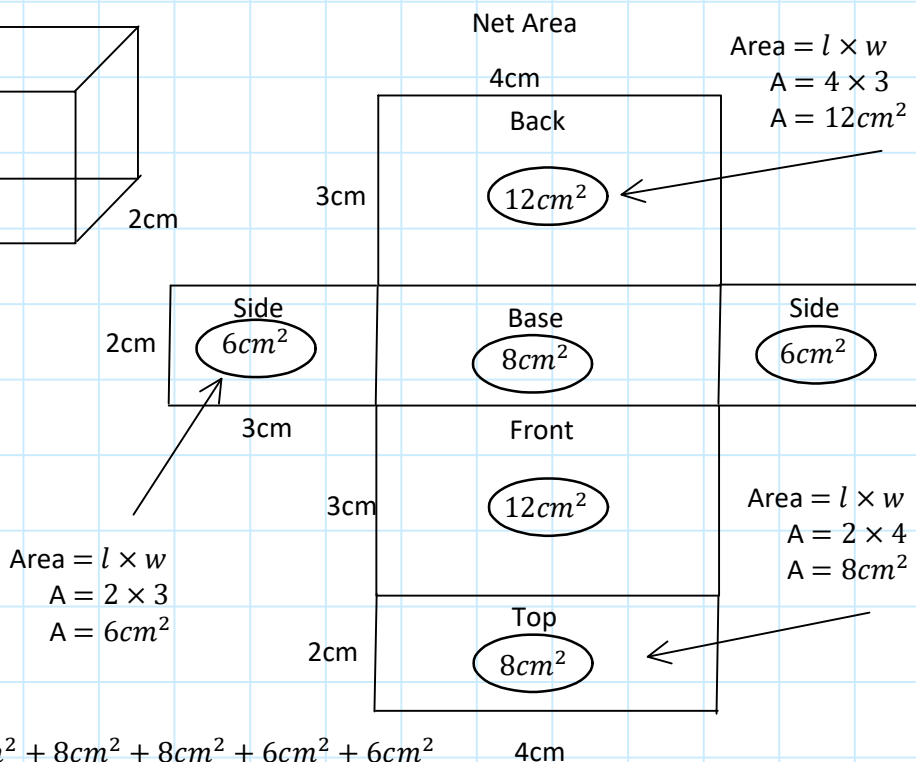
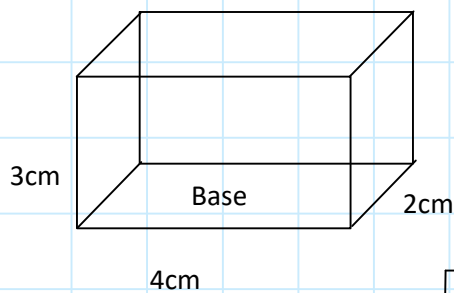
M8 - 5.2 - Cube/Rectangular Prism Surface Area Notes



$$SA = 9\text{cm}^2 + 9\text{cm}^2 + 9\text{cm}^2 + 9\text{cm}^2 + 9\text{cm}^2 + 9\text{cm}^2$$

$SA = 54\text{cm}^2$

Rectangular Prism



$$SA = 12\text{cm}^2 + 12\text{cm}^2 + 8\text{cm}^2 + 8\text{cm}^2 + 6\text{cm}^2 + 6\text{cm}^2$$

$SA = 52\text{cm}^2$

Notice: the top and bottom are the same, the front and back are the same, and both sides are the same.