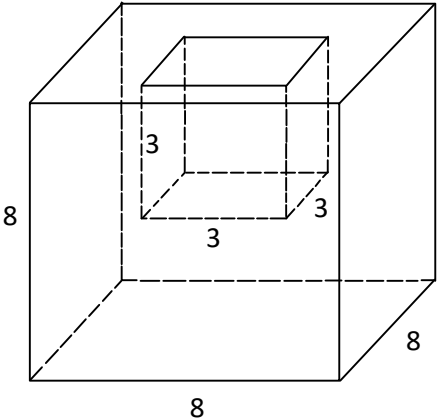
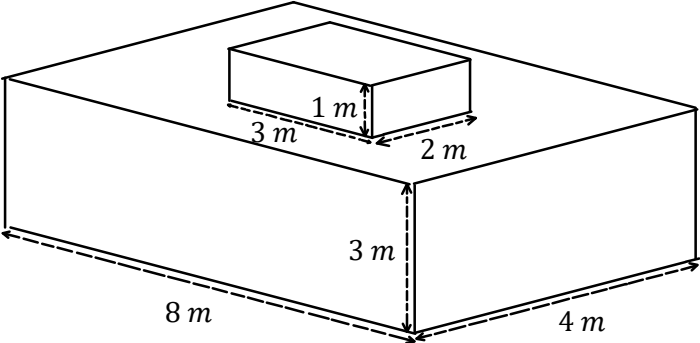
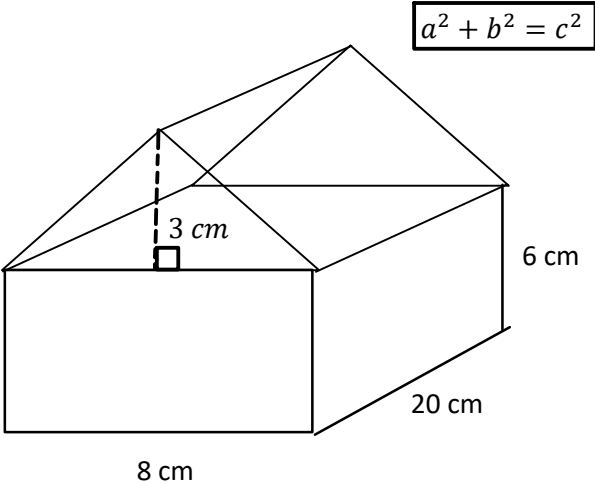


M8 - 5.5 - Rect/Tri Volume Composite Shapes HW

Calculate the surface area of the following shapes.



M8 - 5.5 - Cyl Volume Composite Shapes HW

