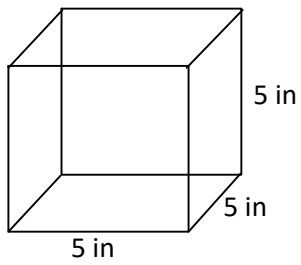
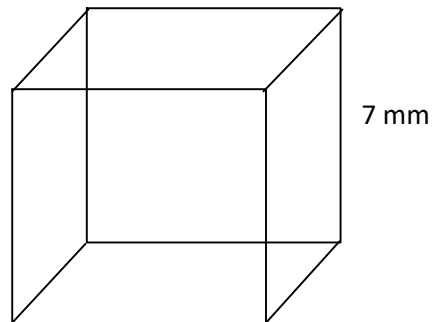
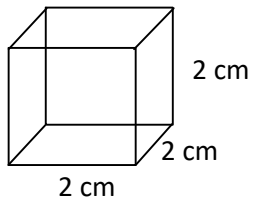
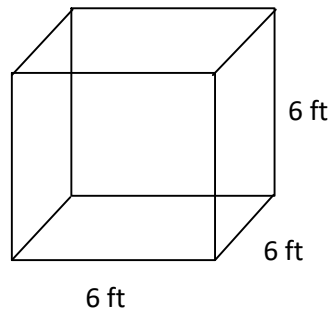


# M8 - 7.1 - Cube Volume HW

Calculate the volume in the specified units.

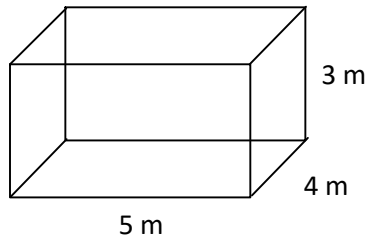


$$V = l \times w \times h$$
$$V = 5 \times 5 \times 5$$
$$V = 125 \text{ in}^3$$



# M8 - 7.1 - Rectangular Prism Volume HW

Calculate the volume in the specified units.



$$V = 3 \times 4 \times 5$$
$$V = 60 m^3$$

