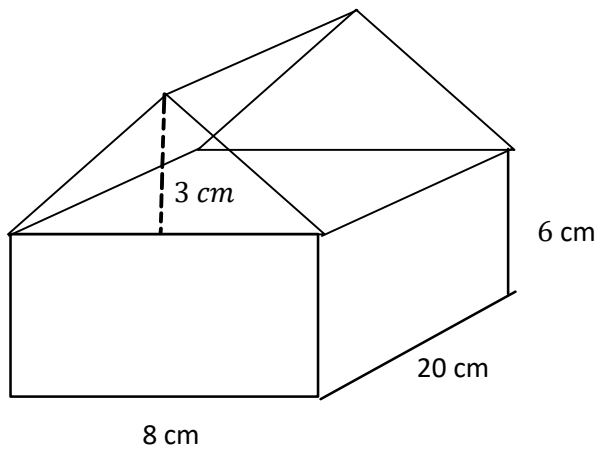
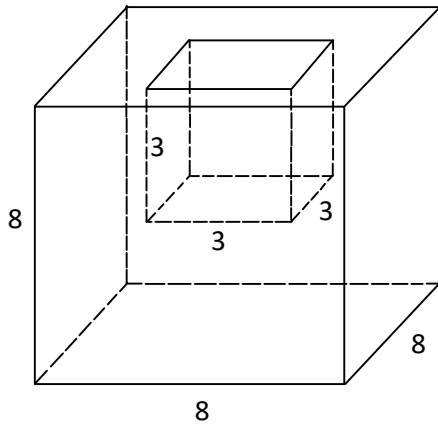
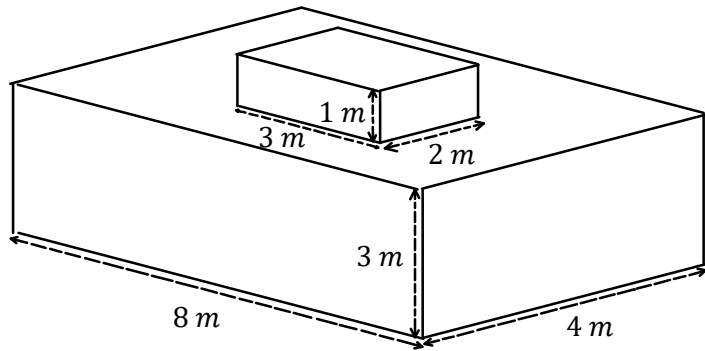


M8 - 7.4 - Rect/Tri Volume Composite Shapes HW

Calculate the volume of the following shapes.



M8 - 7.4 - Cyl Volume Composite Shapes HW

