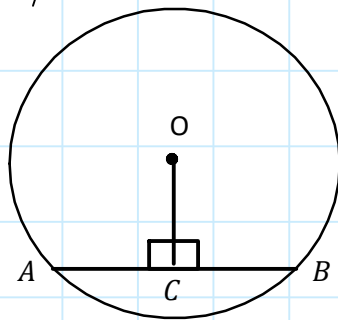
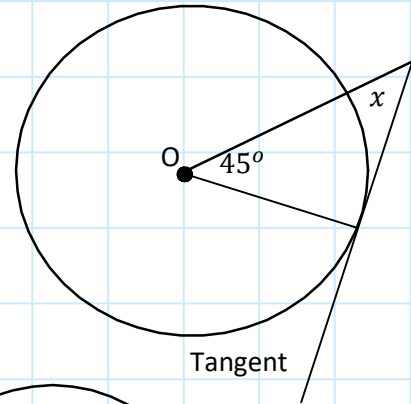
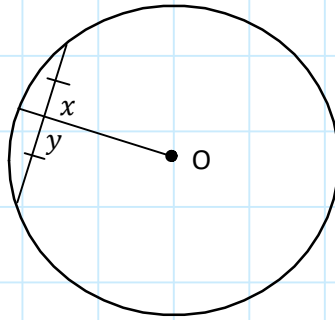
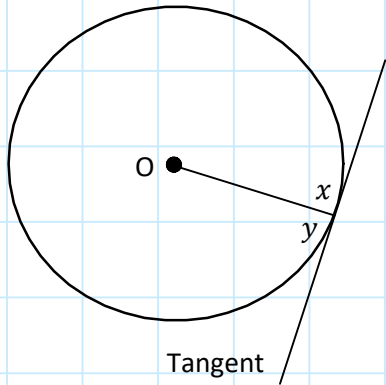
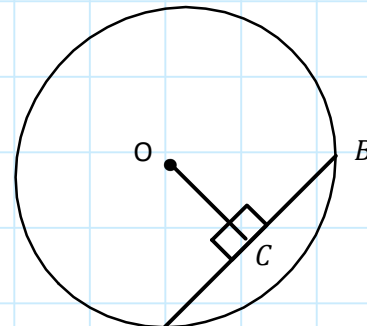


M9 - 10.3 - Rad Perp. To Tan/Chord HW

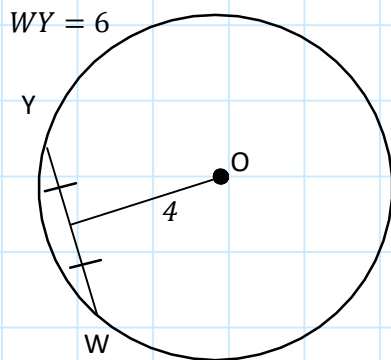
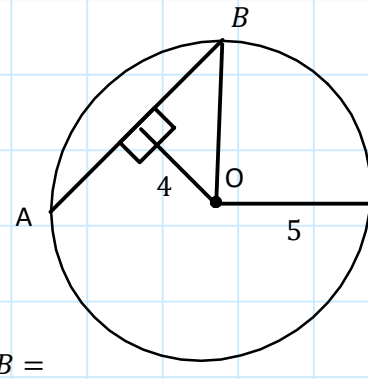
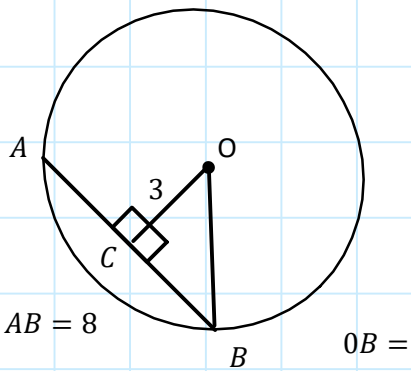
Find the unknown angle or length. O is the Centre. State your Reasoning.



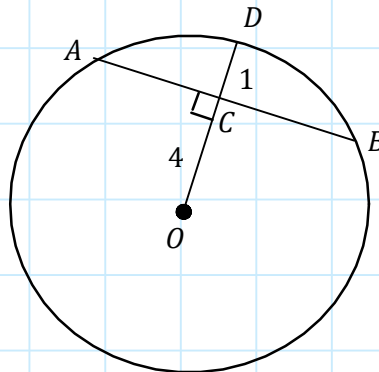
$AC = 5$ $CB =$



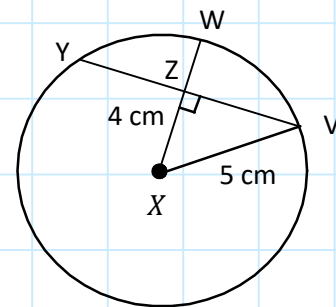
$AB = 12$ $CB =$



Radius =



$BC =$



$ZV =$ $WX =$

$YV =$ $WZ =$

M9 - 10.3 - Circles/Semis/Triangles HW

Find the unknown angle or length. O is the Centre. State your Reasoning.

