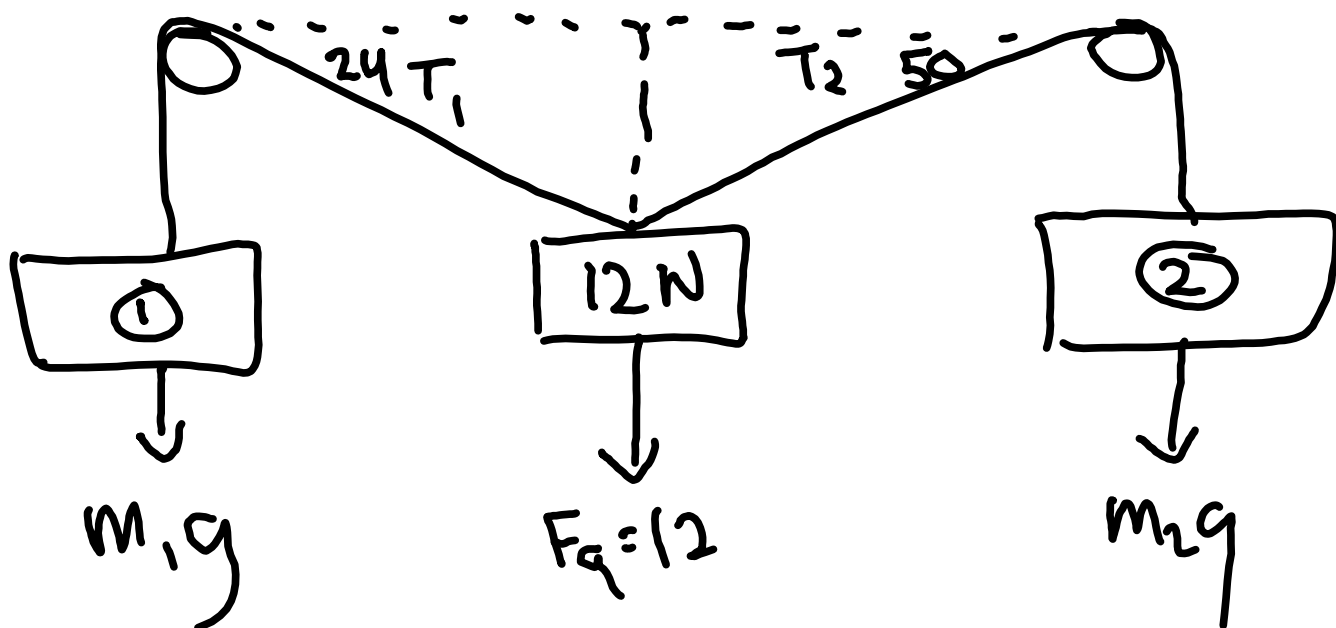


P12 - Pulleys 3 Masses



$$T_1 \cos 24 = T_2 \cos 50$$

$$m_1 g \cancel{\cos 24} = m_2 g \frac{\cos 50}{\cos 24}$$

$$m_1 g \sin 24 + m_2 g \sin 50 = 1.22 g$$

$$m_2 \left( \quad \right) = \frac{1.22}{\left( \quad \right)}$$

$$m_2 = 1.16$$

$$m_2 = 1.14$$